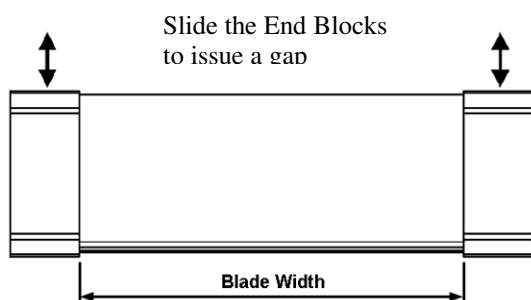
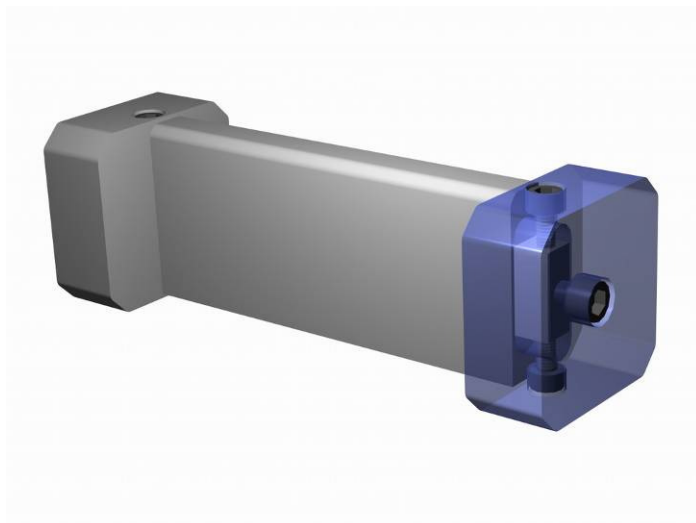


## DUCTOR BLADE

The scraping gap in this blade is adjustable. To regulate the gap, loose the bolts on the end block and turn the top and bottom bolts, both blocks can be shifted precisely, and the drop between ends and body issue a scraping gap.

Standard gap range is 0 - 3 mm. extra large gap can be ordered. To inquire a ductor blade, Please specify the blade width and the gap range.



Front View of Ductor Blade

## SPECIFICATION

- **Dimension**  
End Blocks: 45x45x10 mm  
Blade: 42x10x(specified width) mm
- **Weight:** 800 g (for 100 mm width blade)
- **Material:** SUS 316 (Stainless Steel)